



Total Thermal Management Solutions

PB64-1U Heat Sink

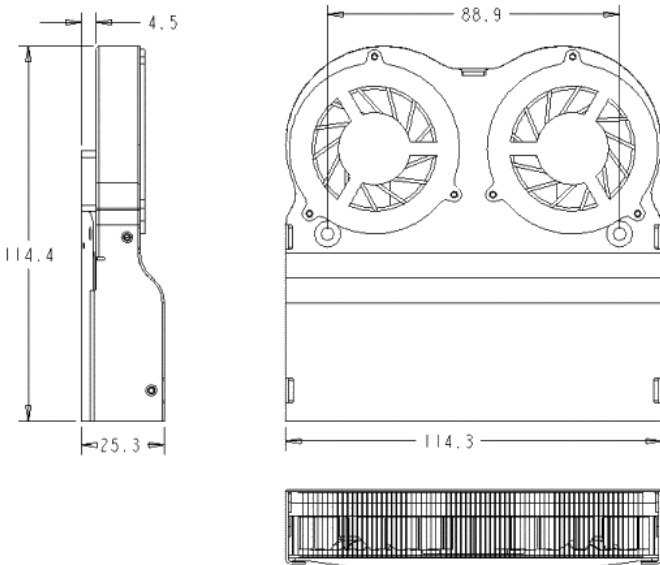
AMD OPTERON™ AND ATHLON™ 64 HEAT SINK
DESIGNED FOR 1U SERVER APPLICATIONS

1U Server Heat Sink

Enertron's PB64-1U heat sink is designed to meet the cooling requirements of the AMD Opteron™ and Athlon™ 64 CPUs while fitting within the space restrictions of a typical 1U server. The 1U heat sink design features a copper base and high density copper fin array. Airflow is provided by two dual-intake blowers which force the air through the fins of the heat sink. The air is ducted through the heat sink through the built-in housing. The two blowers offer a high degree of reliability; should one blower fail, the second blower continues to cool the heat sink. The 1U heatsink is mounted to the CPU using the CPU's backplate.

PB64-1U HEAT SINK FEATURES

- Designed to cool AMD Opteron™ and Athlon™ 64 CPUs
- Heat dissipation up to 90 Watts in 40°C ambient
- Includes high performance interface pad
- Matching mounting plate available
- Can be configured to meet demanding applications



PB64-1U HEAT SINK SPECIFICATIONS

- PB64-1U Heat Sink Thermal Resistance (case-ambient), 2 fans active: 0.318 °C/W
- PB64-1U Heat Sink Thermal Resistance (case-ambient), 1 fan active: 0.412 °C/W
- Fan Power: 2 fans at 12V, 0.35A
- PB64-1U Heat Sink Size: 114.3mm x 114.4mm x 25.3mm
- PB64-1U Heat Sink Weight: 440g

ENERTRON, Inc 2915 N. Nevada St., Chandler, AZ 85225, U.S.A.
Toll Free: 1-877-ENERTRON (363-7876) Tel: 480-649-5400 Fax: 480-649-5434
Asia Contact: ENERTRON International, Inc Tel:886-2-8512-2600 Fax: 866-2-8512-2606
www.enertron-inc.com; e-mail: info@enertron-inc.com